



Cove LED Linear Light CV2717 series

- Matt silver aluminium, gray plastic
- With acrylic diffuser and MCPET reflector
- Screws fixing, with steel spring mounting brackets slope or flat, 2 pcs/set
- Power supply not included

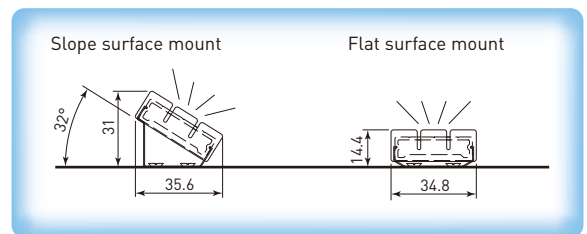
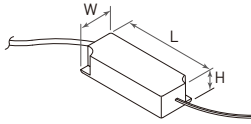



Illustration	Article Code	Model	Light color	Flux (lm)	Efficacy (lm/watt)
 		• 503mm L. 3 x 2.5W (7.5W), 3 LEDs			
	08.091719.121	CV2717-50NA-CW	cool white	795	118
	08.091719.111	CV2717-50NA-WW	warm white	611	91
	08.091719.141	CV2717-50NA-RED	red	258	53
	08.091719.161	CV2717-50NA-GRN	green	393	50
	08.091719.171	CV2717-50NA-BLU	blue	186	27
 		• 1,103mm L. 6 x 2.5W (15W), 6 LEDs			
	08.091720.121	CV2717-110NA-CW	cool white	1,590	118
	08.091720.111	CV2717-110NA-WW	warm white	1,222	91
	08.091720.141	CV2717-110NA-RED	red	516	53
	08.091720.161	CV2717-110NA-GRN	green	786	50
	08.091720.171	CV2717-110NA-BLU	blue	372	27

LED Power System | LD700.4-12



LD700 AC/DC LED Driver

- Compatible with XC ceiling and cove LED linear light RCL2712 / SUS2712 / SCL2722, CV2717 & CV2710-6
- For connection of max. 4 linear lights

Article Code	Model	Description	Illustration
LD7004-12			
<ul style="list-style-type: none"> • Output voltage: 10 ~ 42 Vdc • For 4 ~ 12 LEDs • 10W ~ 30W 			
09.971.031	LD700.4-12US	U.S. plug, 2 meters cable 120 Vac, 50 / 60Hz Size (L x W x H): 158 x 42 x 29mm	
09.971.032	LD700.4-12EU	Euro plug, 2 meters cable 230 ~ 240 Vac, 50 / 60Hz Size (L x W x H): 170 x 42 x 33mm	

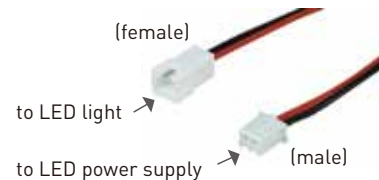
3-Pin & 6-Pin Distributor


- For constant current LED driver, circuit in series
- Junction box with 12cm L. black / red wire and connector, loop connectors included

Article Code	Model	Description	Illustration
3-Pin Distributor with 2 loop connectors			
4.02004	DS3	3-pin distributor	
6-Pin Distributor with 5 loop connectors			
4.02008	DS6	6-pin distributor	

Extension DC Wires

- With foolproof connectors at both ends (female & male)
- Extension of connection between LED light and power supply



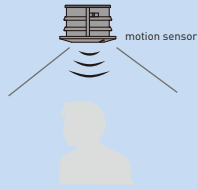
Article Code	Model	Description	Illustration
Extension DC Wire			
4.02703	EW-100	1,000mm (1 meter) long	

LED Power System | ADC70PIR.1-6

ADC70PIR LED Power Supply

- Drives maximum 6 LEDs (15W)

PIR motion detection



Article Code	Model	Description	Illustration
ADC70PIR.1-6 LED Power Supply • 700mA constant current with PIR motion detector, drives 1 ~ 6 LEDs (max. 15W)			
09.970.121	ADC70PIR.1-6US	U.S. plug, 2 meters cable	
09.970.122	ADC70PIR.1-6EU	Euro plug, 2 meters cable	
09.970.124	ADC70PIR.1-6UK	U.K. plug, 2 meters cable	
09.970.123	ADC70PIR.1-6AU	Australia plug, 2 meters cable	
09.970.125	ADC70PIR.1-6JP	Japan plug, 2 meters cable	
Ceiling Recessed PIR Housing • With motion detector & spring clip			
4.03213	PIR24DT-ABN	brushed stainless	

